

Pitch-Patch

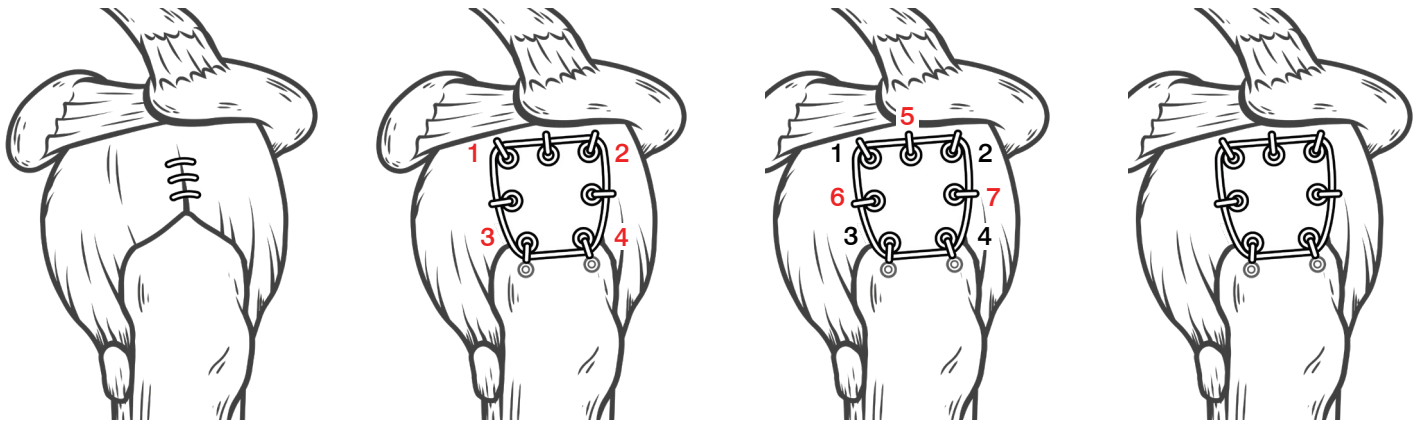
Tissue reinforcement for rotator cuff repair



Why Pitch-Patch?

- The Pitch-Patch is intended to be used for reinforcement of the rotator cuff following or during repair by suture or suture anchors, where weakness exists in the soft tissue.
- The Pitch-Patch reinforces the rotator cuff repair and provides an open weave structure that will be surrounded and filled by the patient's own tissue.
- The Pitch-Patch can be implanted using open or arthroscopic techniques, designed by surgeons for surgeons.
- Pitch-Patch; "patch augmentation in massive RC reconstruction leads to a substantially lower re-tear rate." [1]
- Shaped to fit the anatomy the Pitch-Patch features a reinforced border and incorporates reinforced, prepared holes for the sutures.
- Available in two sizes to accommodate varying patient anatomy, different tear sizes and quality of tissue.

[1] Smolen D, Haffner N, Mittermayr R, Hess F, Sternberg C, Leuzinger J. Application of a new polyester patch in arthroscopic massive rotator cuff repair-a prospective cohort study. J Shoulder Elbow Surg. 2020 Jan;29(1):e11-e21.

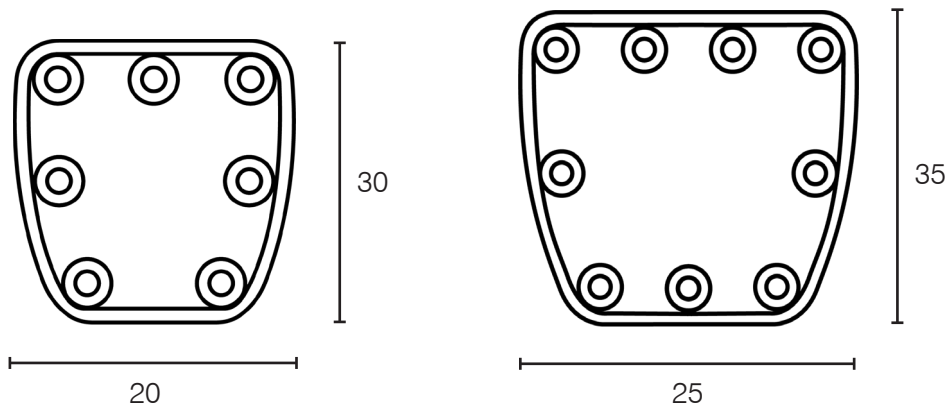


The information above MUST NOT be used to perform the surgical procedure. Always refer to the Instructions for Use LAB 195 which contains detailed information and essential warnings and precautions.

Ordering Information

Pitch-Patch (supplied sterile):

- 102-1090 Pitch-Patch Tissue Reinforcement (30 mm x 20 mm)
- 102-1091 Pitch-Patch Tissue Reinforcement (35 mm x 25 mm)



Get Involved

At Neoligaments we are constantly striving to improve outcomes for patients, and we want to hear from you. Help us create the future of sports medicine and share your opinions and expertise with us at: neoligaments.com

Developed and manufactured by
 Neoligaments™, A division of Xiros™
 Springfield House, Whitehouse Lane, Leeds LS19 7UE
 Tel. +44 (0) 113 238 7202 Fax. +44 (0) 113 238 7201
enquiries@neoligaments.com
www.neoligaments.com
 Xiros Limited, registered in England No. 1664824

All rights reserved. © Neoligaments™ 2021 Worldwide patents and patents pending. Neoligaments and Xiros are trademarks of Xiros.